






中国认可
国际互认
检测
TESTING
CNAS L3098



TEST REPORT	
BS 1363-1 and BS 1363-3 (partially)	
Specification for rewirable and non-rewirable 13A fused plugs	
Report reference No. :	20SPJS11024 0191
Compiled by (+ signature)..... :	Amy Wang 
Approved by (+ signature) :	Bruce Zhang 
Date of receipt of test item..... :	2020-12-19
Date (s) of performance of tests..... :	2020-12-20 to 2020-12-25
Date of issue..... :	2021-01-26
Testing laboratory..... :	DongGuan Shuoxin Electronic Technology Co., Ltd.
Address..... :	Zone A, 1/F., No.6, Yuangang Street, Xingang Road, Xinan Community, Changan, Dongguan, Guangdong, China
Applicant..... :	Poconex Electronics Corp.
Address..... :	9F-10, No.12, Fuxing 4th Rd, Qianzhen Dist, Kaohsiung City 806, Taiwan
Factory..... :	JDI Electronic Factory
Address..... :	SIMA INDUSTRIAL ZONE, SIMA VILLAGE, CHANG PING, DONGGUAN, GUANGDONG 523570 CHINA
Standard..... :	BS 1363-1:2016+A1:2018; BS 1363-3:2016+A1:2018
Test Report Form No..... :	BS 1363 _191021
TRF originator..... :	DongGuan Shuoxin Electronic Technology Co., Ltd.
Type of test object..... :	UK plug
Trademark..... :	
Model/type reference..... :	XWU-UK, HWUxxY-ZZZZ, CWUxxY-ZZZZ(xx can be 12 to 65 for output watts; Y can be A, B, C for marketing purpose; ZZZZ can be 030N to 999N for output voltage)
Rating..... :	Input: 100-240V~ 50/60Hz 0.5A
Degree of protection..... :	IP42
Class of protection against electrical shoc..... :	Class II
Proof tracking index (PTI)..... :	175
Possible test case verdicts:	
- test case does not apply to the test objec..... :	N (A.)
- test object does meet the requirement... :	P(ass)
- test object does not meet the requiremen..... :	F(ail)



中国认可
国际互认
检测
TESTING
CNAS L3098



General remarks

- 1) This test report shall not be reproduced except in full without the written approval of the testing laboratory.
- 2) The test results presented in this report relate only to the item tested.
- 3) "(see remark #)" refers to a remark appended to the report.
 "(see appended table)" refers to a table appended to the report.
- 4) Throughout this report a point "." is used as the decimal separator.
- 5) When determining the test conclusion, the Measurement Uncertainty of test has been considered.
- 6) This report suitable for UK plug portion on Direct Plug-in Appliance only.
- 7) Attachment document:
 - Photographs: Annex 1
- 8) Critical components list:

Object/part no.	Manufacturer/ trademark	Type/model	Technical data	Standard	Mark(s) of conformity
Enclosure and Plug Holder	Sabic Japan LLC	945(GG)	V-0, 120 °C. Minimum 2.0mm thickness	UL94, UL746C	UL
Pin sleeving material and ISOD Pin	Sabic Japan LLC	945(GG)	Rated V-0, 120°C	UL94, UL746C	UL
Metal material of Plug pin	--	--	Copper content : 59.0%	--	--



中国认可
国际互认
检测
TESTING
CNAS L3098



BS 1363-1:2016 +A1:2018			
Clause	Requirement – Test	Result - Remark	Verdict
12	Construction of Plugs		P
12.1	The disposition of the pins shall be shown as figure 4.	The dispositions of the pins were shown as specified.	P
12.2	Pin and sleeve dimensions, body outline were checked according to figure 4 of BS1363: part 1.	The outline of the plug did not exceed the specified dimensions at a distance of 6.65mm from the engagement surface. (limit: >6.35mm) The measured dimensions of item shown in fig. 4 were found within the specified limits.	P
	The plug portion should enter the gauge fully with a force less than 10N was applied to the centre of the sample at right angle.	Sample was entered into the gauge completely.	P
12.3	No part of a line or neutral pin shall be less than 9,5mm from the periphery of the plug measured along the engagement surface.	10.44mm	P
12.9	Plug pins were constructed of brass	Complied.	P
12.9.1	Exposed surface of plug pins were smooth and free from burrs or sharp edges and other irregularities, which could cause damage or excessive wear to sockets or shutters.	Complied.	P
12.9.4	The adaptor plug pins were tested as specified in the standard.	Complied. L/N pins were subjected to a forced of 1100N and ISOD was subjected to a force of 400N. After the test, the pin portion could fit the relevant gauge.	P
12.9.5.1	The adaptor plug pins (nickel plated brass pins and/ or non-solid pins) were tested as specified in the standard.	Nickel plated brass pins. Complied. After being subjected to 15000 insertions and withdraws (30000 movements), the shutters of the socket-outlets shall be operating satisfactorily, the socket contacts safety shielded. The pins of the plug shall remain intact with no openings in the surface, joints or seams which will accept the probe specified in 12.9.3. There shall be no visible evidence of peeling or flaking of plating.	P



中国认可
国际互认
检测
TESTING
CNAS L3098



BS 1363-1:2016 +A1:2018			
Clause	Requirement – Test	Result - Remark	Verdict
12.9.5.2	The adaptor plug pins were tested as specified in the standard.	Complied. After being subjected to 5000 insertions and withdraws, the shutters of the socket-outlet can operate satisfactorily and the socket contact is safely shielded.	P
12.9.6	Each pin of the adaptor was subjected to a torque of 1Nm for 60s as specified in the standard.	Complied. After the test, the pin portion could fit the relevant gauge.	P
12.11	The adaptors were tested as specified in the standard. After being placed in an oven at 70°C for 1 hour, each pin of the samples was subjected for 60 sec. to a pull of 100N in the oven.	Complied. After the above test, no plug pin was detached and the plug pins could fit the relevant gauge.	P
12.12	The degree of flexibility of mounting of the plug pins was checked according to 12.12.1	Complied. During the test, no declination was observed to the plug pins (limit: Max. 3° 30').	P
12.13	Suitable means shall be provided for withdrawing the plug without subjecting the flexible cord to stress.		N/A
12.16	Line and neutral plug pin shall be fitted with insulating sleeves. The dimensions of the pin and sleeve shall fall within the specific limit.	Complied. Both line and neutral pins were fitted with insulating sleeves.	P
12.17.1	Plug pin sleeve shall be compliance with 12.17.2 to 12.17.4	Complied.	P
12.17.2	Electric strength test applied between the metal part of plug pin and the sleeve (1250±30V)	Complied. No breakdown and flashover occur.	P
12.17.3	Abrasion test for plug pin sleeve The plug pin sleeves were subjected to 20000 movements of abrasion as specified in the standard.	Complied. After the test, the sleeves showed no damage that impaired further use and could satisfy the electric strength test in 12.17.2	P



中国认可
国际互认
检测
TESTING
CNAS L3098



BS 1363-1:2016 +A1:2018			
Clause	Requirement – Test	Result - Remark	Verdict

12.17.4	The plug pins with sleeves were placed in a heating cabinet at 200°C and tested according to the standard for 120min. Arrange the test as Figure 10 of BS 1363-1.	(The test shall be carried out at 125°C and tested according to the standard for 120min. Referred to the requirement in clause 27.1.2 of IEC/EN61558-1 and in clause 4.3.6 in ZB Annex of IEC/EN 60950-1 and in clause G.4.2 of IEC/EN 62368-1.) After the test, the thickness of sleeves of plug pins (Line and neutral pins) remaining at the impression point reduced less than 50%. Material:945 (GG) Reduced by max. 8.11%, Before test: 0.74mm, After test: 0.68mm	P
---------	--	--	---

22.2	Resistance to heat		P
	Parts of insulating material shall be sufficiently to heat having particular regard for their location and function in the complete plug. After 1h in heating cabinet at 75+/-5°C and a force of 20 N through the jaws no damage shown	Test performed on L/N pin sleeving material and plug holder (including ISOD). Limit: 2mm. Material: 945 (GG) Diameter of the impression: 0.5 mm	P

23	Resistance to abnormal heat, fire and tracking		P
23.2	Glow-wire test	Glow wire test performed on enclosure with: 650°C. Glow wire test performed on ISODs with: 750°C.	P

BS 1363-3:2016 +A1:2018			
Clause	Requirement – Test	Result - Remark	Verdict
13.10	The total mass of the equipment with all specified connectors shall not exceed 800g. The torque exerted on socket shall not exceed 0.7 Nm	Measured torque: 0.039Nm	P



中国认可
国际互认
检测
TESTING
CNAS L3098



PLUG PORTION DIMENSIONS				
Linear Dimensions (mm)		Measurement	Limit	Verdict
*A		24.88/24.88	25.370 max.	P
*B		31.51	34.6 max.	P
*C		Tested by gauge	15 min.	P
D		10.44	9.5 min.	P
*E	L -> E	11.12	11.05 - 11.18	P
	N -> E	11.12	11.05 - 11.18	P
*F	L -> E	22.30	22.10 - 22.36	P
	N -> E	22.30	22.10 - 22.36	P
G1		6.26	6.22 - 6.48	P
G2		6.26	6.22 - 6.48	P
H		3.98	3.90 - 4.05	P
*I		22.78	22.23 - 23.23	P
J		1.51	1.35 - 1.85	P
K		8.00	7.80 - 8.05	P
L	line	8.93	9.5 max.	P
	neutral	8.93	9.5 max.	P
M	line	8.55	9.2 max.	P
	neutral	8.55	9.2 max.	P
N (sleeve)	line	3.98	3.90 - 4.05	P
	neutral	3.98	3.90 - 4.05	P
O	line	17.48	17.20 - 18.20	P
	neutral	17.48	17.20 - 18.20	P
P	Line	1.62	1.35 - 1.85	P
	neutral	1.62	1.35 - 1.85	P
	earth	1.51	1.35 - 1.85	P
Q (metal)	line	3.95	3.90 - 4.05	P
	neutral	3.95	3.90 - 4.05	P
	earth	3.98	3.90 - 4.05	P
R	Line	1.72	1.2 - 2.0	P
	neutral	1.72	1.2 - 2.0	P
	earth	1.88	1.2 - 2.0	P
S	line	1.62	1.35 - 1.85	P
	neutral	1.62	1.35 - 1.85	P

*Remark: all these dimensions were checked by the relevant gauge (based on BS1363: Part 1:1995 Figure 5)

Angular Dimensions (°)		Measurement	Limits	Verdict
θ1		61.06°	58° - 62°	P
θ2	line	69.87°	60° - 80°	P
	neutral	69.87°	60° - 80°	P
	earth	68.47°	60° - 80°	P
θ3	line	61.92°	58° - 62°	P
	neutral	61.92°	58° - 62°	P

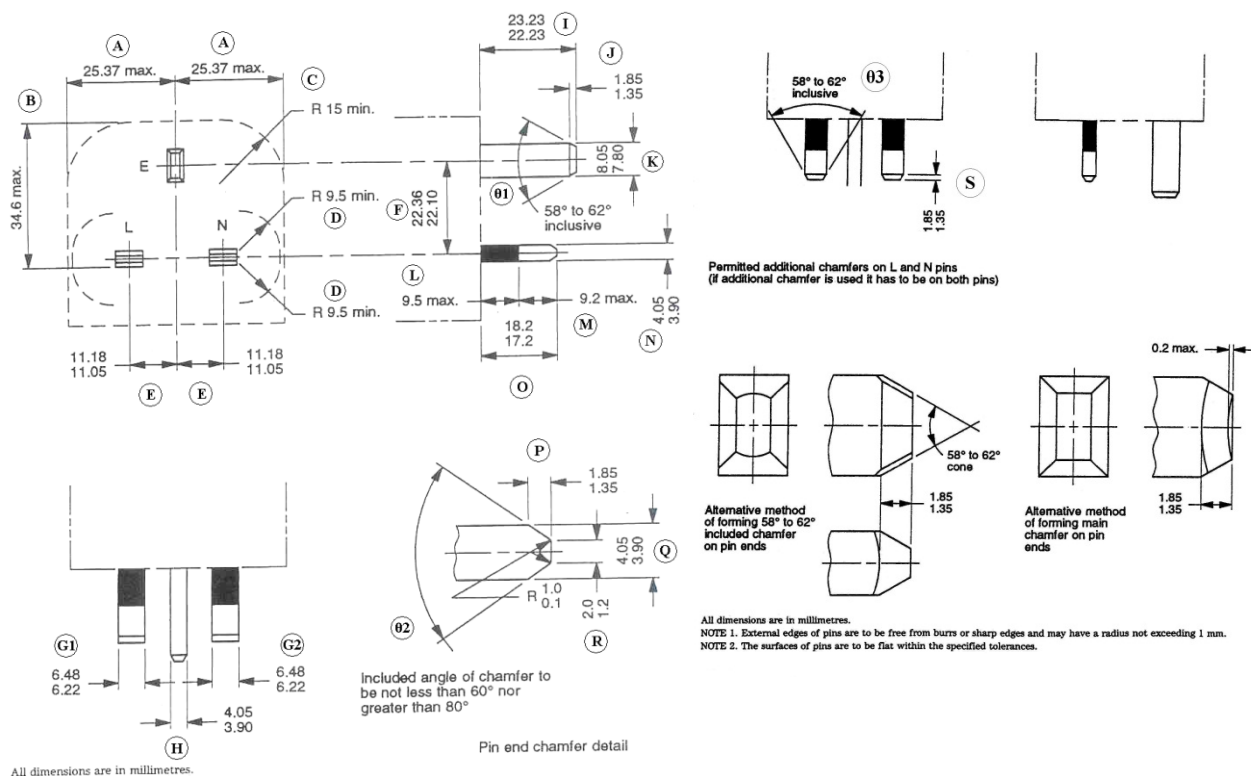


Figure 4a of BS 1363: Part 1

* Remark: all these dimensions were checked by the relevant gauge (based on BS1363: Part 1:1995 Figure 5)

Plug Portion Dimensions (Solid insulated shutter opening device ISOD)

Linear Dimensions (mm)		Measurement	Limit
T		8.00	7.75 - 8.05
U		3.98	3.90 - 4.05
V	E -> L	0.14	0.15 max.
	E -> N	0.14	0.15 max.
W	E -> top	0.14	0.15 max.
	E -> L & N	0.14	0.15 max.

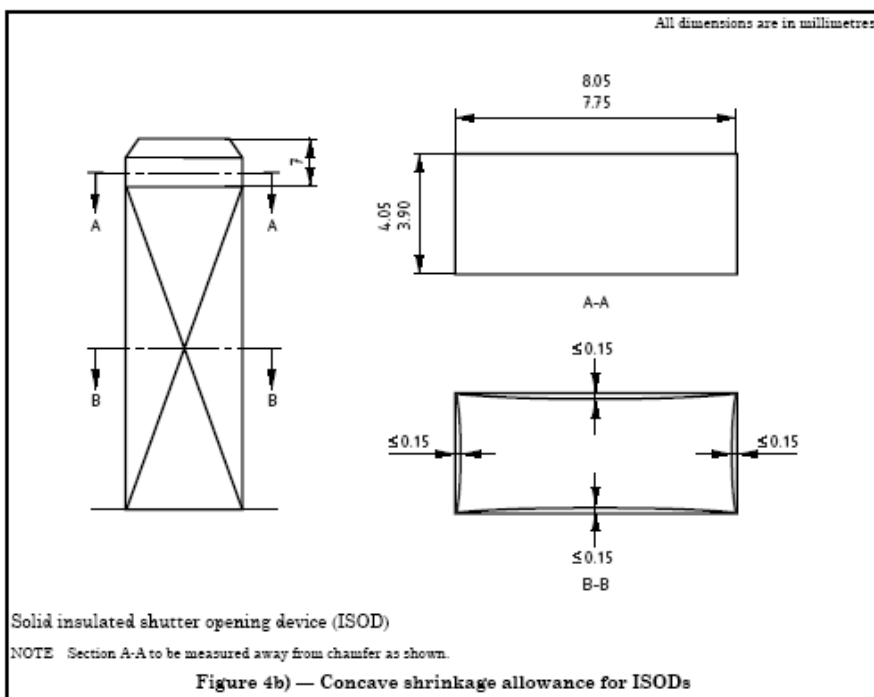


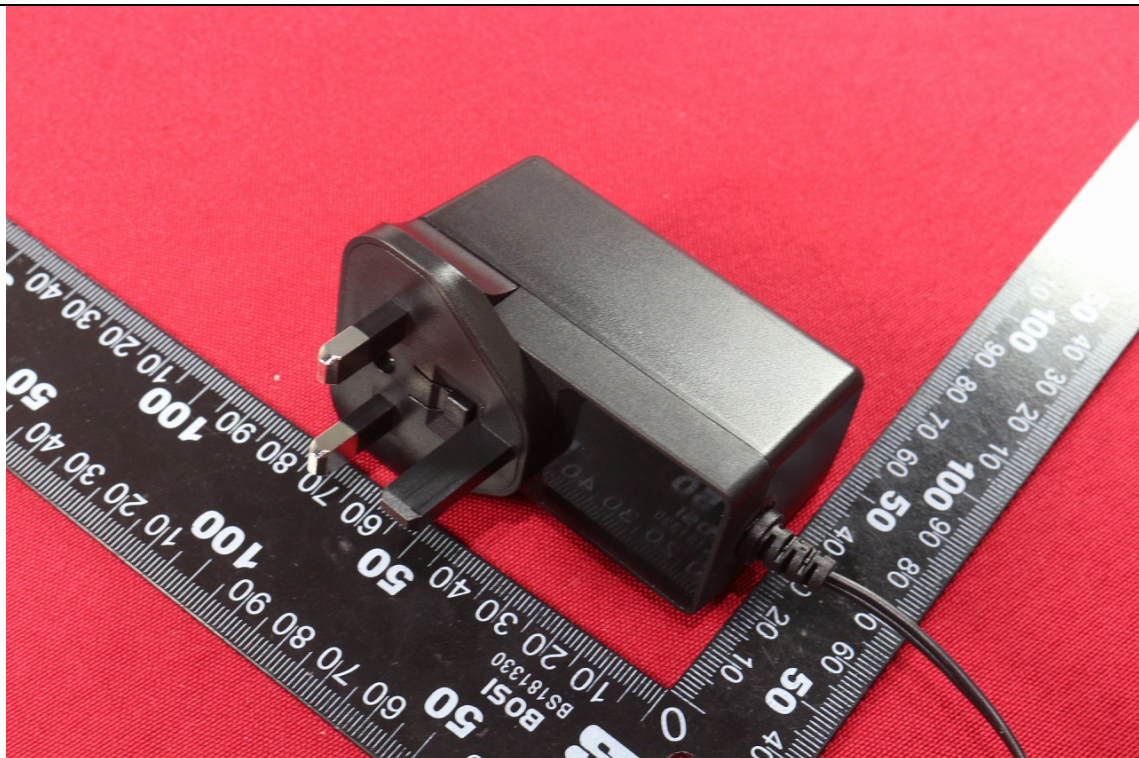
Figure 4b of BS 1363: Part 1

Annex 1: Photo documentation

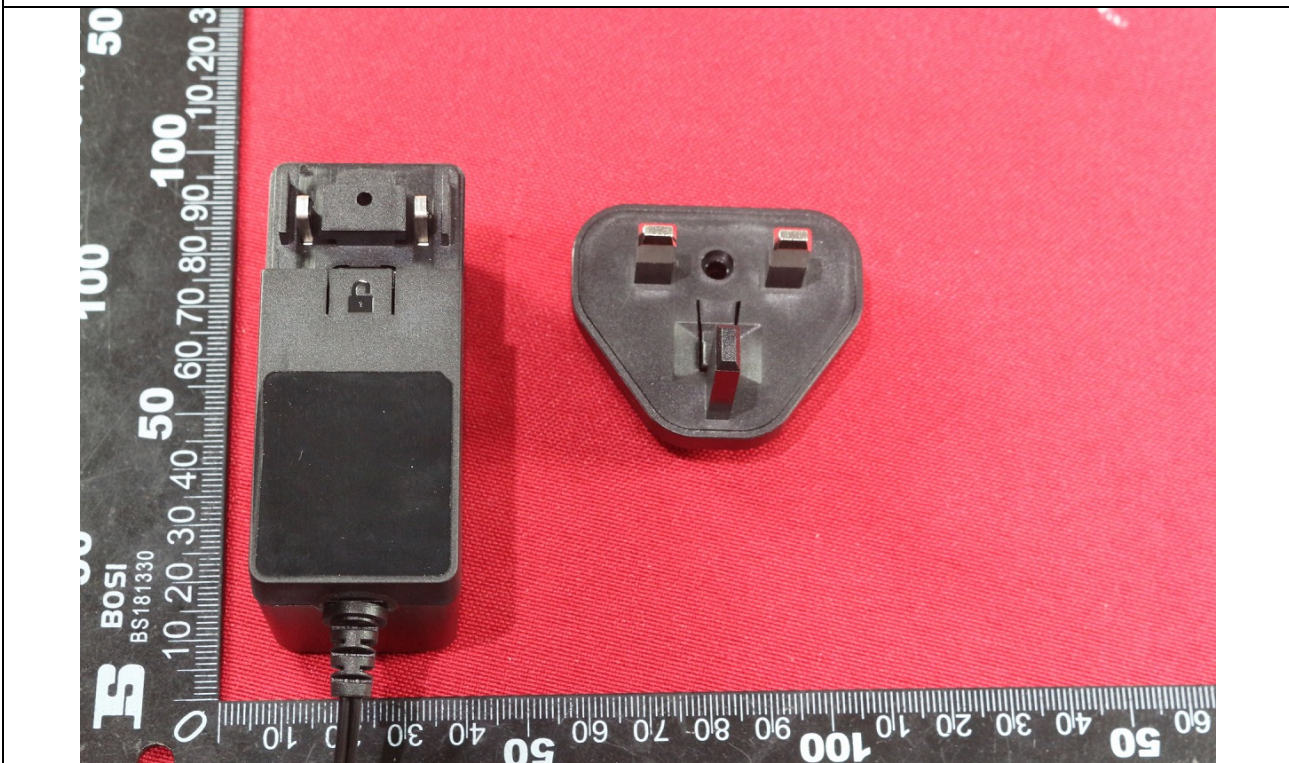
Details of: Figure 1. General view for unit



Details of: Figure 2. General view for unit



Details of: Figure 3. General view for unit



Details of: Figure 4. Inside view for unit

